

GV600



Power Cable



Mounting Bracket (optional)

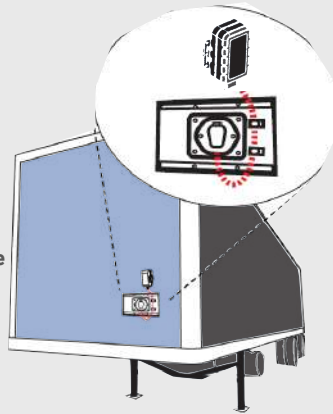
## 1 Identify and choose the best GPS location spot for getting optimal signal.

Remove the bolts and open the housing's cover

Choose the best harness routing way

Run alongside the trailer harness through the housing's stock cable grommet.

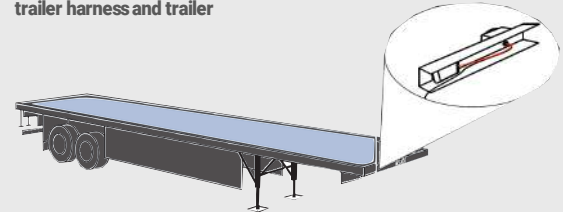
Install cable clamps to secure the harness to trailer



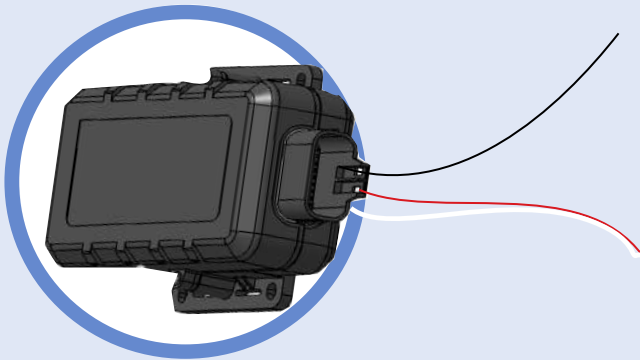
Remove the bolts and pull the cover away from the housing

Route the GV600 device wire harness alongside the trailer harness through the housing's stock cable grommet

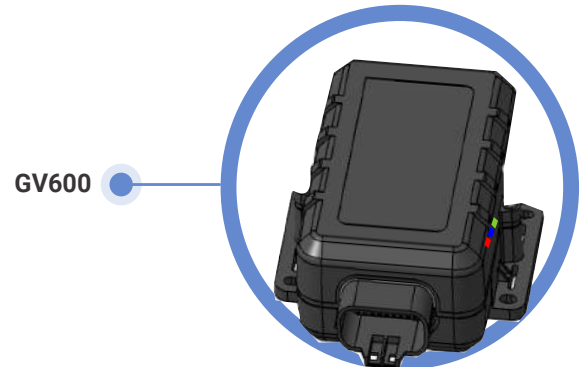
Use the zip ties and cable clamps to fix the wire harness to the trailer harness and trailer



## 2 Connect the SOLID WHITE wire, and the RED wire together directly to the external Constant Power 12V-24V source. Connect the BLACK wire to chassis Ground.



## 3 To verify correct installation, wait until red, blue LEDs are solid, and green LED is slow flashing.



GV600

    
PWR GPS CEL

## 4 The person doing the installation should have comprehensive knowledge and experience of different types of electrical installations.



### Customer Service

Calls Monday to Friday  
8 AM to 5 PM EDT



Text and email  
customized support



Tel. 786-980-2021  
customer.service@satrack.com